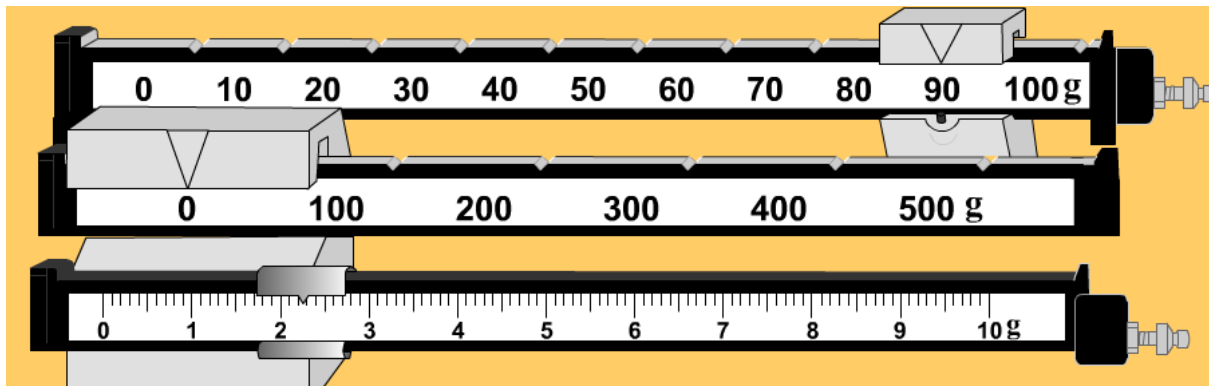


Calibration Practice

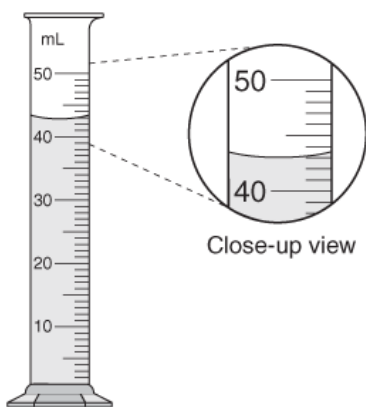
Name: _____

Block: _____

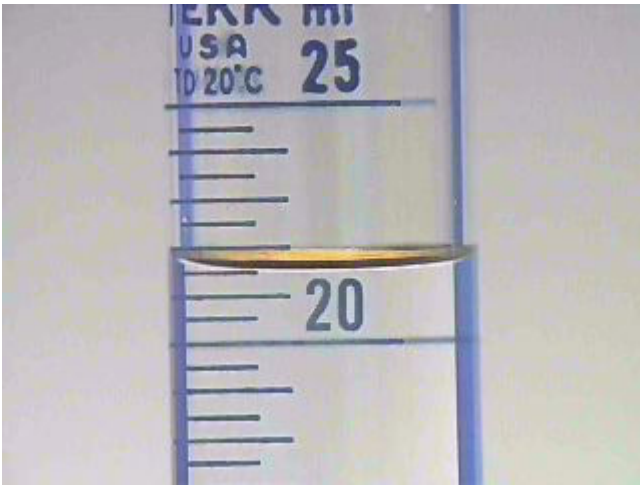
Date: _____



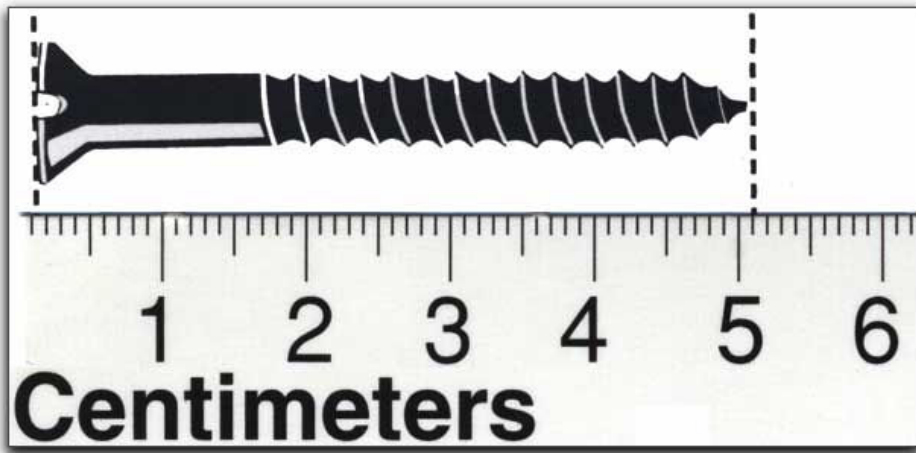
1.	What is the name of the tool?	
	What is the calibration? <i>Example: 0.1 g</i>	
	To what place will you record your answer? <i>(Example: 0.01 place)</i>	
	What is the correct measurement? <i>(Example: 27.63 g)</i>	



2.	What is the name of the tool?	
	What is the calibration? <i>Example: 0.1 g</i>	
	To what place will you record your answer? <i>(Example: 0.01 place)</i>	
	What is the correct measurement? <i>(Example: 27.63 g)</i>	



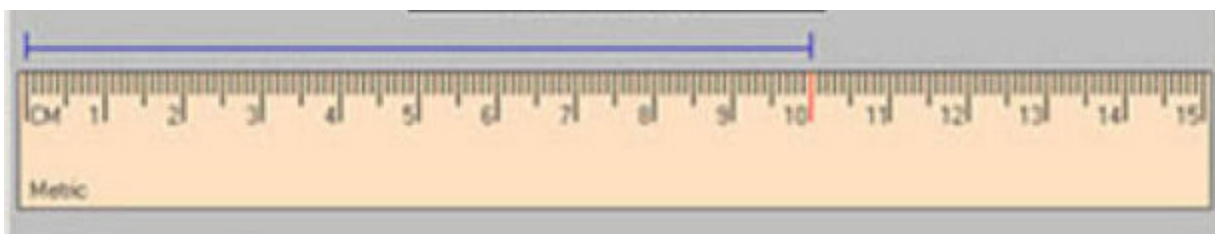
3.	What is the name of the tool?	
	What is the calibration? <i>Example: 0.1 g</i>	
	To what place will you record your answer? <i>(Example: 0.01 place)</i>	
	What is the correct measurement? <i>(Example: 27.63 g)</i>	



4.	What is the name of the tool?	
	What is the calibration? <i>Example: 0.1 g</i>	
	To what place will you record your answer? <i>(Example: 0.01 place)</i>	
	What is the correct measurement? <i>(Example: 27.63 g)</i>	



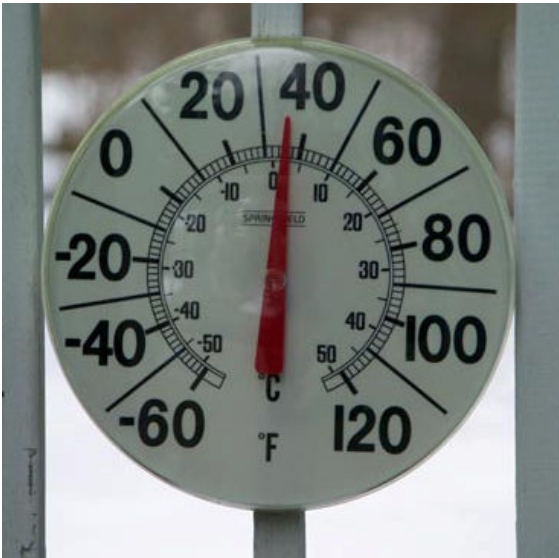
5.	What is the name of the tool?	
	What is the calibration on the INNER ring of numbers? <i>Example: 0.1 g</i>	
	To what place will you record your answer? <i>(Example: 0.01 place)</i>	
	What is the correct measurement? <i>(Example: 27.63 g)</i>	



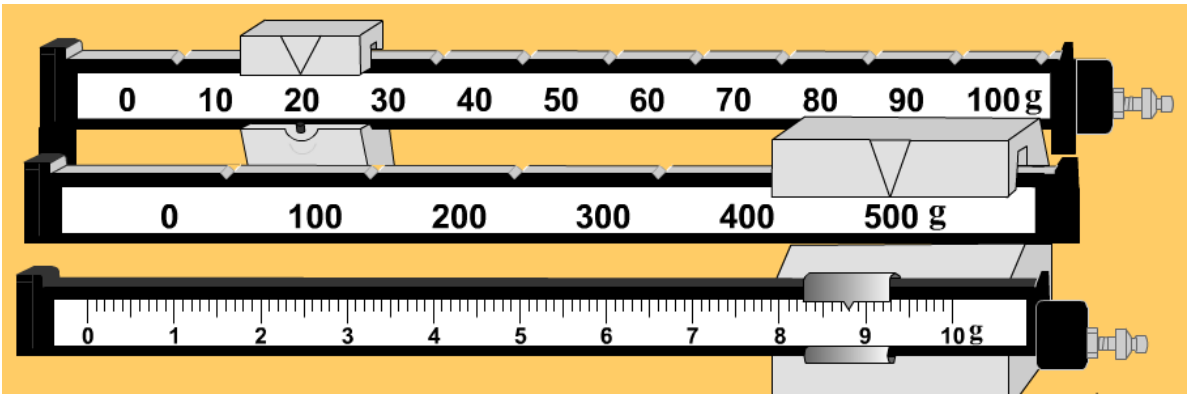
6.	What is the name of the tool?	
	What is the calibration? <i>Example: 0.1 g</i>	
	To what place will you record your answer? <i>(Example: 0.01 place)</i>	
	What is the correct measurement? <i>(Example: 27.63 g)</i>	



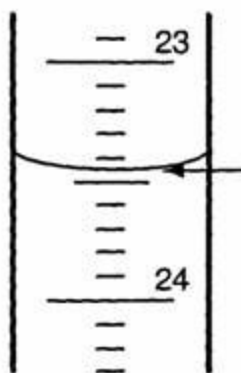
7.	What is the name of the tool (make a special note of the numbering)?	
	What is the calibration? <i>Example: 0.1 g</i>	
	To what place will you record your answer? <i>(Example: 0.01 place)</i>	
	What is the correct measurement? <i>(Example: 27.63 g)</i>	



8.	What is the name of the tool?	
	What is the calibration on the INNER ring of the numbers? <i>Example: 0.1 g</i>	
	To what place will you record your answer? <i>(Example: 0.01 place)</i>	
	What is the correct measurement? <i>(Example: 27.63 g)</i>	



9.	What is the name of the tool?	
	What is the calibration? <i>Example: 0.1 g</i>	
	To what place will you record your answer? <i>(Example: 0.01 place)</i>	
	What is the correct measurement? <i>(Example: 27.63 g)</i>	



(Make special note of how this device is numbered)

10.	What is the name of the tool?	
	What is the calibration? <i>Example: 0.1 g</i>	
	To what place will you record your answer? <i>(Example: 0.01 place)</i>	
	What is the correct measurement? <i>(Example: 27.63 g)</i>	



11.	What is the name of the tool?	
	What is the calibration? <i>Example: 0.1 g</i>	
	To what place will you record your answer? <i>(Example: 0.01 place)</i>	
	What is the correct measurement? <i>(Example: 27.63 g)</i>	



12.	What is the name of the tool?	
	What is the calibration? <i>Example: 0.1 g</i>	
	To what place will you record your answer? <i>(Example: 0.01 place)</i>	
	What is the correct measurement? <i>(Example: 27.63 g)</i>	



12.	What is the name of the tool?	
	What is the calibration? <i>Example: 0.1 g</i>	
	To what place will you record your answer? <i>(Example: 0.01 place)</i>	
	What is the correct measurement? <i>(Example: 27.63 g)</i>	